

# DTG OR12 OPEN FRONT MULTIDECK

# COSSIGA



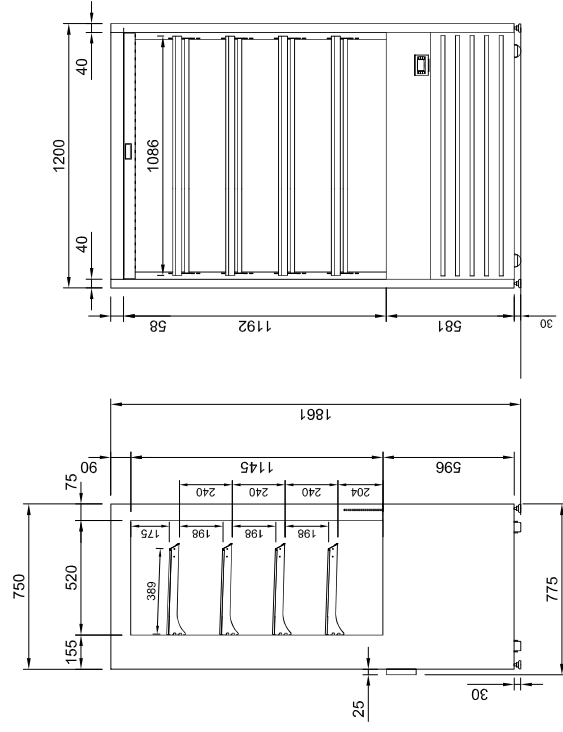
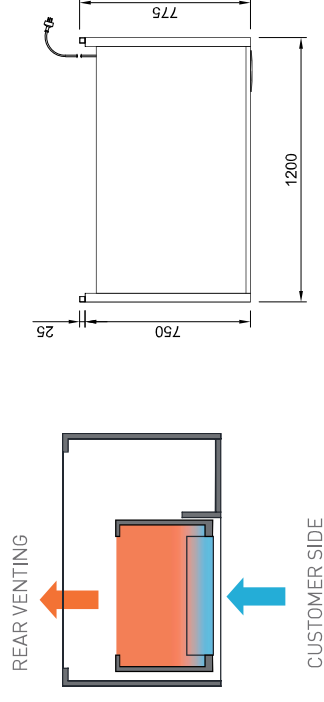
### Drainage System Options

- Pump to waste
- Electronic evaporator pan

- Stainless steel construction
- Four adjustable shelves
- Ticket strips on shelves
- Shelf mounted air curtains
- Under shelf and canopy LED lights
- Pull down night blind
- Forced air circulation
- Integral condenser
- Removable front grille panel
- Roll in on castors
- Climate class M1
- Hinged front doors - **optional**



Shown with optional frame less hinged acrylic front doors sold as accessory kit



### CABINET DIMENSIONS & SPECIFICATIONS

MODEL	CABINET		SHELVING	OPERATING TEMP	SHELF	BASE TRAY	DISPLAY	REFRIGERANT	FREQUENCY	OPERATING CURRENT	POWER	CONNECTION		VOLTAGE	PACKED FOR SHIPPING			
	LENGTH [MM]	DEPTH [MM]										ELECTRICAL	POWER CORD		W X D	W X D	W X D	LENGTH [MM]
DTG0R12	1200	775	4 + BASE	-1 +5	1086 X 386	1120 x 453	M2	R290	50/60 HZ	7.0	1.46	3 PIN PLUG	3 PIN PLUG	220-240V	1300	830	2030	292

Maximum shelf load weight 15kg spread evenly



Prior to installation see, installation guidelines, ventilation requirements and drainage options documents